

- o Flat Cable Connectors SEK
- o har-mik®
- o D-Sub
- o InduCom

Applications



Product details

09 45 115 1100

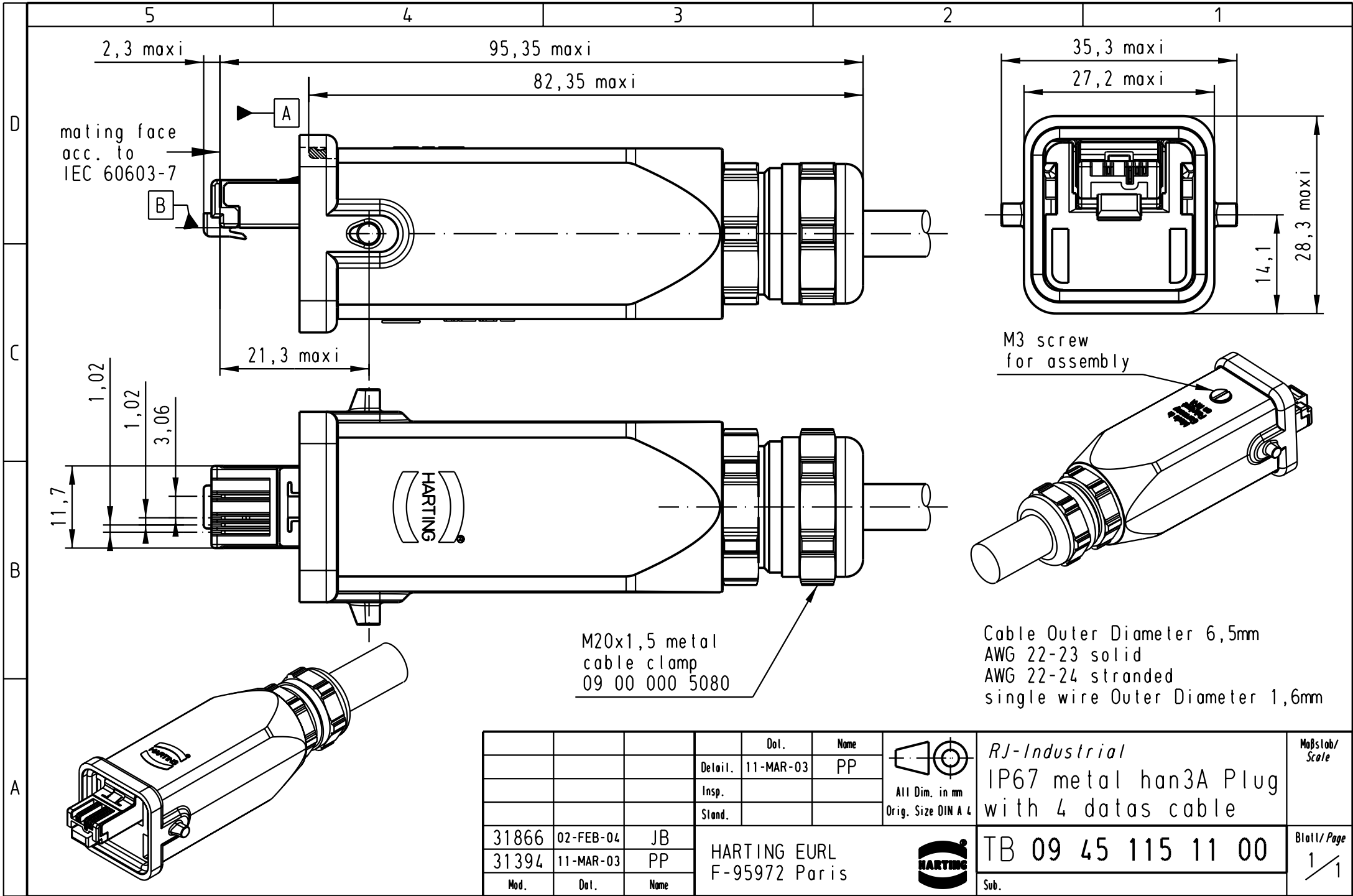
IP 67 Data 3A connectors

Series	IP 67 Data 3A connectors
Housing material	Standard metal version
Used housing	straight
Protection level	IP 67/65
Mating interface	RJ 45 in acc. to IEC 60603-7
Wire gauge	AWG 22-24 stranded; AWG 22-23 solid
Temperature range	-40 °C ... + 70 °C
Mating cycles	mind. 750
Cable sheath diameter	6.5 mm - 6.9 mm
RoHS compliant	Yes

Available Downloads

Title	Format	
Data sheet	PDF	↓ download
CAD data 2D	DXF	↓ download
CAD data 3D	IGES	↓ download

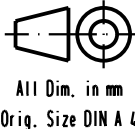

Inquiry



M20x1,5 metal
cable clamp
09 00 000 5080

M3 screw
for assembly

Cable Outer Diameter 6,5mm
AWG 22-23 solid
AWG 22-24 stranded
single wire Outer Diameter 1,6mm

				Dat.	Name	 <p>All Dim. in mm Orig. Size DIN A 4</p>	RJ-Industrial IP67 metal han3A Plug with 4 data cable	Maßstab/ Scale
			Detail.	11-MAR-03	PP			
			Insp.					
			Stand.					
31866	02-FEB-04	JB	HARTING EURL F-95972 Paris				TB 09 45 115 11 00	Blatt/ Page 1 / 1
31394	11-MAR-03	PP	Mod.	Dat.	Name			